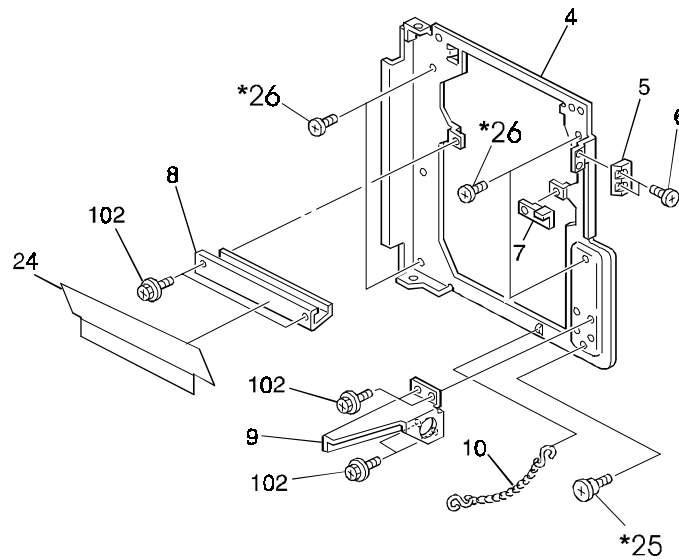


Model: ST29		Date: 15-Nov-97	No: 1
Modified Article: Parts Catalog		Prepared by: M.Kitajima	
From: QAC Field Information Dept.			
Reason for Modification:	<input checked="" type="checkbox"/> Parts catalog correction	<input type="checkbox"/> Vendor change	<input type="checkbox"/> To meet standards
	<input type="checkbox"/> To facilitate assembly	<input type="checkbox"/> To improve reliability	()
	<input type="checkbox"/> Part Standardization	<input type="checkbox"/> Other	

Please add the following parts to your parts catalog.

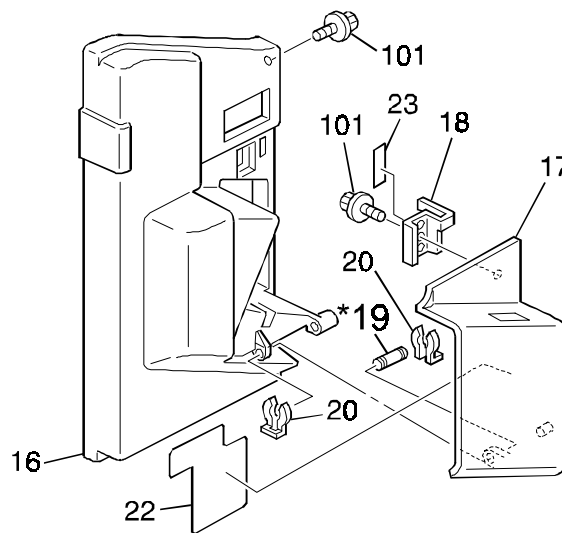
New part number	Description	Qty	Page	Index
AA14 3478	Screw: MM9	1	3	25
A089 3607	Shoulder Screw	4	3	26



Model: ST29		Date: 30-Nov-97	No: 2
Modified Article: Parts Catalog		Prepared by: M. Kitajima	
From: QAC Field Information Dept.			
Reason for Modification:	<input checked="" type="checkbox"/> Parts catalog correction	<input type="checkbox"/> Vendor change	<input type="checkbox"/> To meet standards
	<input type="checkbox"/> To facilitate assembly	<input type="checkbox"/> To improve reliability	()
	<input type="checkbox"/> Part Standardization	<input type="checkbox"/> Other	

Please change the following description:

Part number	Old Description	New Description	Page	Index
A658 1591	Door Sheet	Door Shaft	3	19

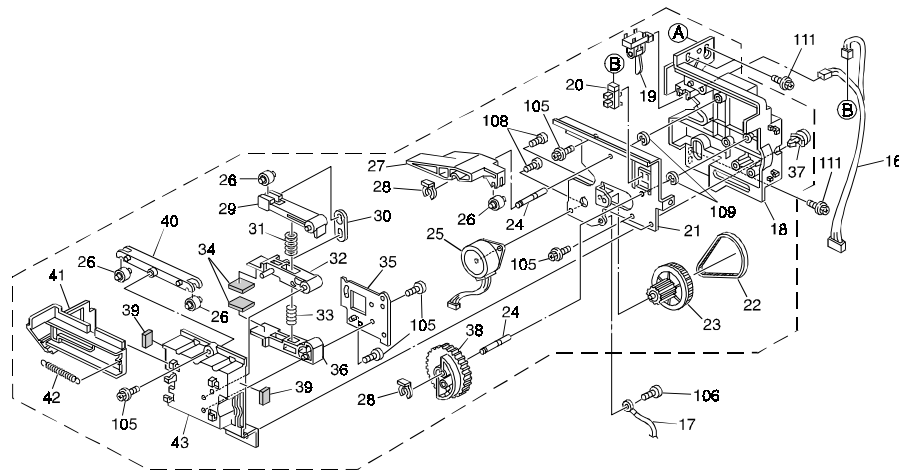


Model: ST29		Date: 30-Apr-98	No: 3
Modified Article: Parts Catalog		Prepared by: J. Kasamoto	
From: QAC Field Information Dept.			
Reason for Modification:	<input checked="" type="checkbox"/> Parts catalog correction	<input type="checkbox"/> Vendor change	<input type="checkbox"/> To meet standards
	<input type="checkbox"/> To facilitate assembly	<input type="checkbox"/> To improve reliability	()
	<input type="checkbox"/> Part standardization	<input type="checkbox"/> Other	

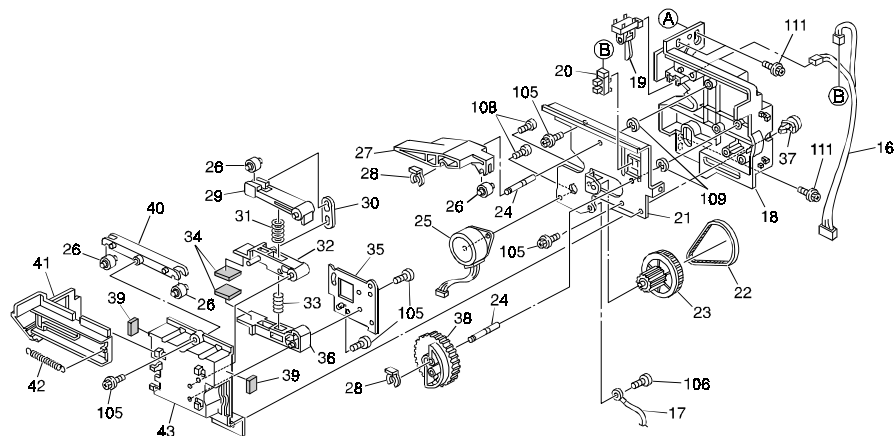
The dotted line around the grip assembly should be deleted. Please correct your parts catalog as follows.

Page 4

OLD



NEW



Model: 20-Bin Sorter Stapler (ST29) [Phoenix2/Penguin]		Date: 15-Oct-01	No.: MA658004
Modified Article: Anti-static Brush		Prepared by: F. Noguchi	
From: Technical Services Dept., GTS Division			
Reason for Modification:	<input type="checkbox"/> Parts catalog correction	<input type="checkbox"/> Vendor change	<input type="checkbox"/> To meet standards ()
	<input type="checkbox"/> To facilitate assembly	<input type="checkbox"/> To improve reliability	
	<input checked="" type="checkbox"/> Part standardization	<input type="checkbox"/> Other	

The Anti-static Brush has been changed for purposes of parts standardization with the ST32 Sorter Stapler.

Old part number	New part number	Description	Q'ty	Int	Page	Index	Note
A5552161	A5552166	Anti-static Brush	1	O/O	7	28	

Model: 20Bin Sorter Stapler (ST29) for Phoenix2/Penguin		Date: 8-Jan-02	No.: MA658005
Modified Article: Anti-static Brush		Prepared by: M.Kitajima	
From: Technical Services Dept., GTS Division			
Reason for Modification:	<input checked="" type="checkbox"/> Parts catalog correction	<input type="checkbox"/> Vendor change	<input type="checkbox"/> To meet standards ()
	<input type="checkbox"/> To facilitate assembly	<input type="checkbox"/> To improve reliability	
	<input type="checkbox"/> Part standardization	<input type="checkbox"/> Other	

Please correct your parts catalog as follows:

Index No. Correction
Page 13

Incorrect Index No.	Correct Index No.	Part Number	Description
1	2	A5551850	Decal – Staple Position
2	1	A6581850	Decal – Staple Change